

## Isolation Test of the Temperatur Sensor in the Tyco P08X, P18X, P48X Modules

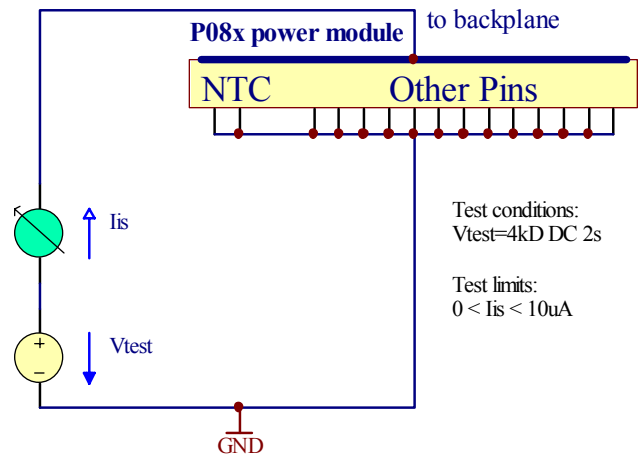
Attila Öri, Tyco Electronics / Power Systems, May. 05

At all Tyco modules of the series P80, P48X, P18X is the isolation of the temperature sensor tested.

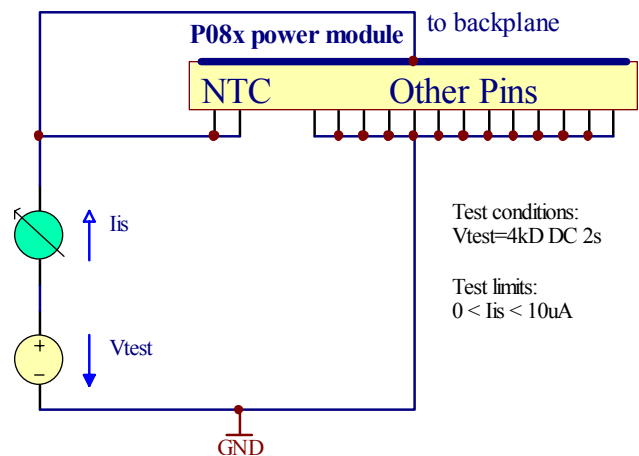
Test Conditions:

- Test Voltage  $V_{\text{Test}} = 4\text{kV}$
- The test limit  $I_{\text{is}} = 10\mu\text{A}$ .
- This is a 100% test meaning all modules shipped passed the test.

### Substrate isolation measurement



### Thermistor isolation measurement



Status 25<sup>th</sup> of May 2005